

BLUEOPS

Quickstart Guide

BASIC PACK
GLOCK 9MM / .40S&W
DOUBLE-STACK

SKU: BOG-DS-24V01

Be sure to keep your BLUEOPS Lite App up to date by downloading the latest version from the Apple Store or Google Play, or simply scan the QR code below.

BLUEOPS
LITE



Download on the
App Store



GET IT ON
Google Play

DOWNLOAD APP.
BLUEOPS LITE



- 01** Safety Guidelines for Dry Fire Practice
- 02** Laser Hazard
- 03** xMAG Maintenance
- 04** Hard-shell Case Content
- 05** xMAG Components
- 06** Charging xMAG
- 07** Changing xMAG Base pads: Switching from 15-round to 17-round configuration
- 08** Fitting the BLUEOPS Basic Pack Hardshell Case For a 17-round Configuration
- 09** Pairing xMAG With The App
- 10** Trigger Break/Reset Simulation
- 11** Adjusting The Trigger Break Simulation
- 12** xLSR (Laser Cartridge)
- 13** Installing xLSR Batteries
- 14** xLSR Setup

Blue Ops Ltd. hereby disclaims any responsibility and expressly disclaims liability for any damage, injury, or loss of life arising from dry fire or the utilization of BLUEOPS products. Users are explicitly reminded that firearm safety is solely the responsibility of the user. Always prioritize firearm safety in all circumstances. Strictly adhere to firearm safety regulations at all times! Prior to dry firing, ensure your firearm is unloaded.

Congratulations on choosing the BLUEOPS Basic Pack! We're thrilled to have you on board. This Quickstart Guide is designed to help you get the most out of your new product quickly and efficiently.

Before diving in, we highly recommend reading through this guide to familiarize yourself with the basics. Whether you're a seasoned pro or new to the world of BLUEOPS, we're here to support you every step of the way.

Wishing you a productive and fun training experience!

01. Safety Guidelines for Dry Fire Practice:

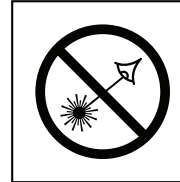
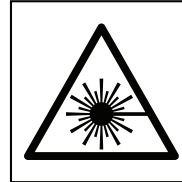
When employing a real gun always:

- Confirm the firearm is unloaded
- Ensure no live rounds are present in the magazine or chamber
- Verify the absence of live ammunition in the practice area

02. Laser Hazard

The xLSR Laser Cartridge is equipped with a light-operated switch that could activate unintentionally in the presence of ambient light. We strongly advise exercising caution and refraining from aiming the laser towards eyes, whether yours or others', as well as reflective surfaces like mirrors to prevent accidental activation.

Your safety is our top priority; therefore, please handle the laser device with utmost care and attention. After completing your dry-firing drill, we recommend securely storing the laser bullet in its designated case.

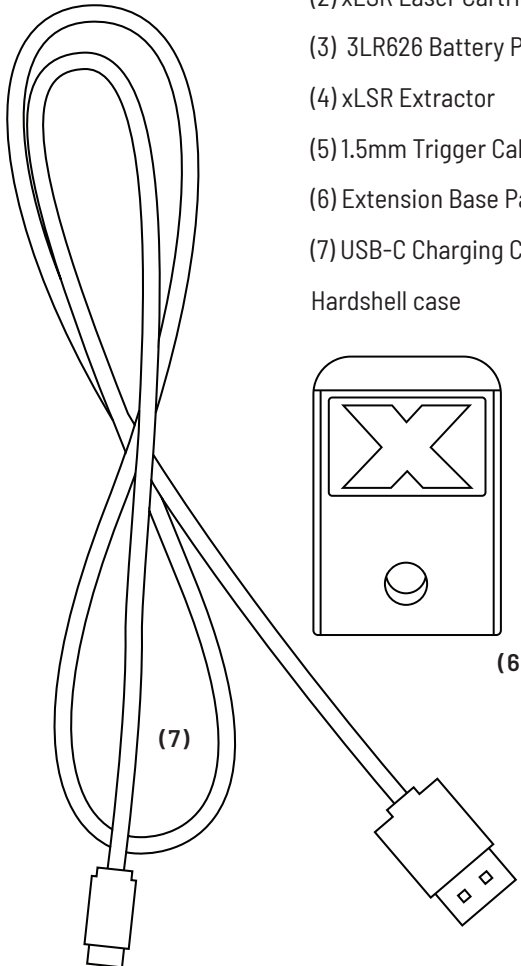
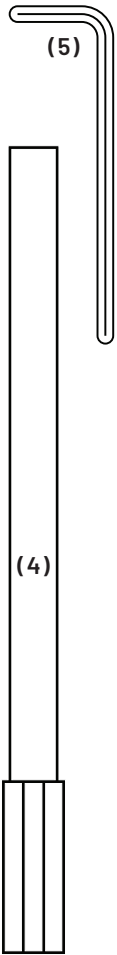
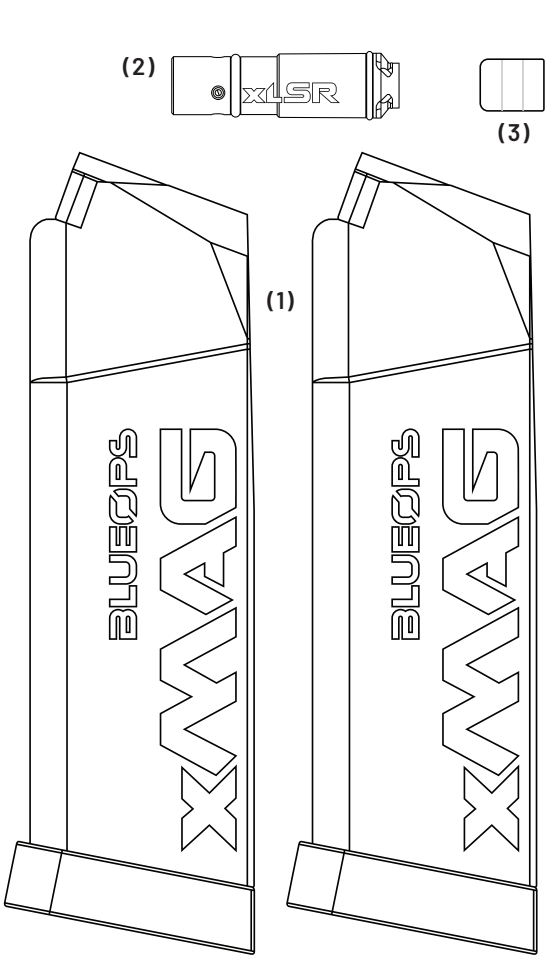


CAUTION
LASER 3R
EN 60825-1:2014+A11:2021
WAVELENGTH:650nm
PEAK POWER<5mW

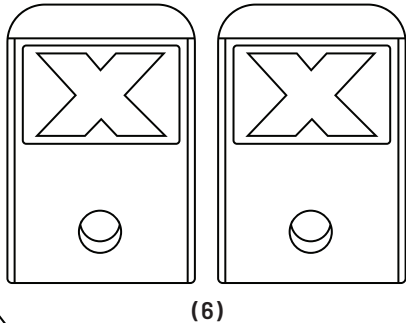
03. xMAG Maintenance

Remember to keep your xMAGs clean and dry to maintain optimal performance. If cleaning is required, use a soft, dry brush or cloth to gently remove any dust. Take special care around the LED area, as indicated in Diagram #7, Part 6, and avoid using liquids to clean the xMAG to prevent the risk of electric shock. With regular use, the base pad screw of the xMAG may gradually loosen. It's a good practice to periodically check and tighten it to ensure continued reliability.

04. Hard-shell Case Content

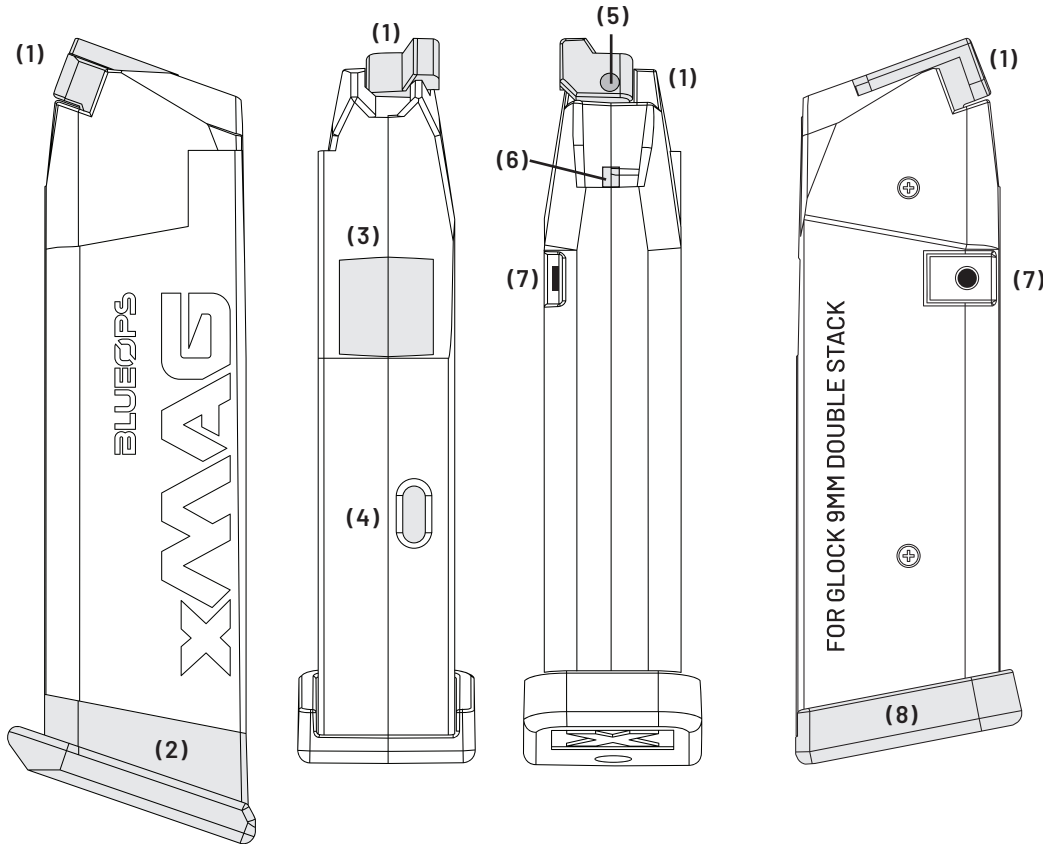


- (1) xMAG Smart Magazine (2 units)
 - (2) xLSR Laser Cartridge
 - (3) 3LR626 Battery Pack
 - (4) xLSR Extractor
 - (5) 1.5mm Trigger Calibration Hex Key
 - (6) Extension Base Pad (2 units)
 - (7) USB-C Charging Cable
- Hardshell case



05. xMAG Components

xMAG



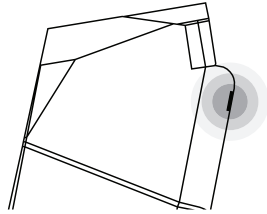
- (1) Trigger Cart
- (2) 17-Round Base-Pad
- (3) Pairing QR Code
- (4) Charging Port (USB-C)
- (5) Trigger Calibration Screw
- (6) LED Indicator
- (7) Pairing Mode Button
- (8) 15-Round Base-Pad

Note: Fully charge the xMAGs before first use. See section #5 for charging instructions.

Note: As we strive for ongoing enhancements to the firmware of xMAGs, kindly note the possibility of a firmware update during the initial setup process.

06. Charging xMAG

As you charge your xMAG, its LED Indicator will flash. Check the chart below to see the charging status based on the flash pattern.

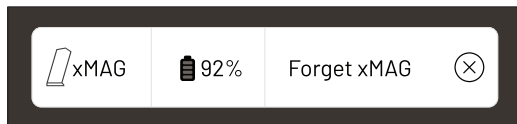


Sequence of 3 flashes	Sequence of 2 flashes	Sequence of 1 flash
The xMAG's charge level is below 30%	The xMAG's charge level is within the range of 30% to 75%	The xMAG's battery level has surpassed 75%

Keep track of your xMAG battery status using the app.

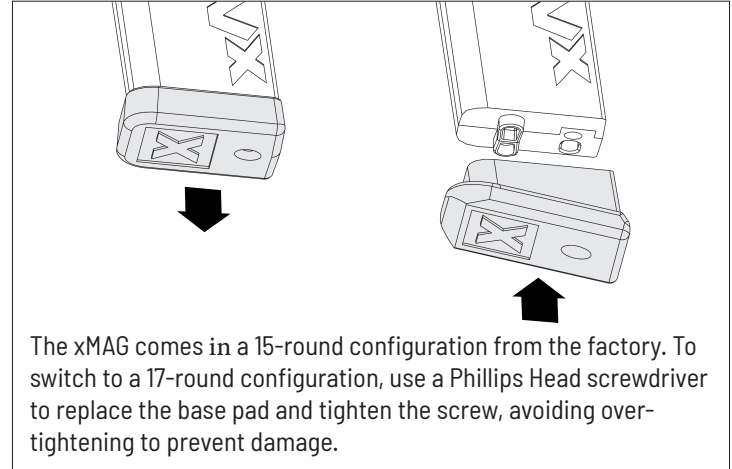


Main bar

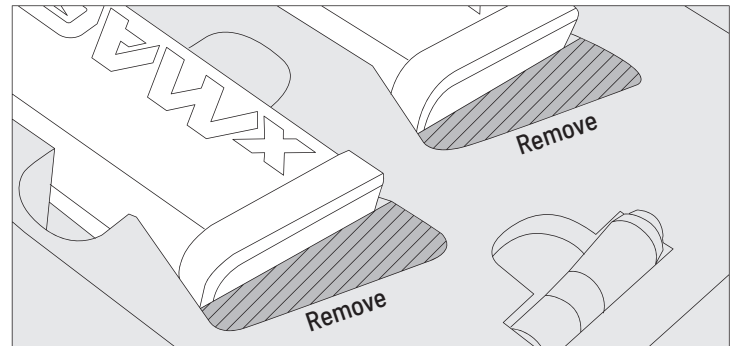


Menu/
Device Manager

07. Changing xMAG Base pads: Switching from 15-round to 17-round configuration



08. Fitting the BLUEOPS Basic Pack Hardshell Case For a 17-round Configuration



09. Pairing xMAG With The App

- Download and install the BLUEOPS Lite App
- Follow the setup instructions as they appear within the App
- When instructed, find the QR code sticker situated on the rear side of the xMAG (refer to Diagram 4, Component 3). Kindly be aware that each xMAG is assigned a distinct and individual code
- If any issues arise during the scanning process, refer to the troubleshooting section for assistance, available at:
<https://www.blueops-tech.com/troubleshoot>

Note: As we strive for ongoing enhancements to the firmware of xMAGs, kindly note the possibility of a firmware update during the initial setup process.

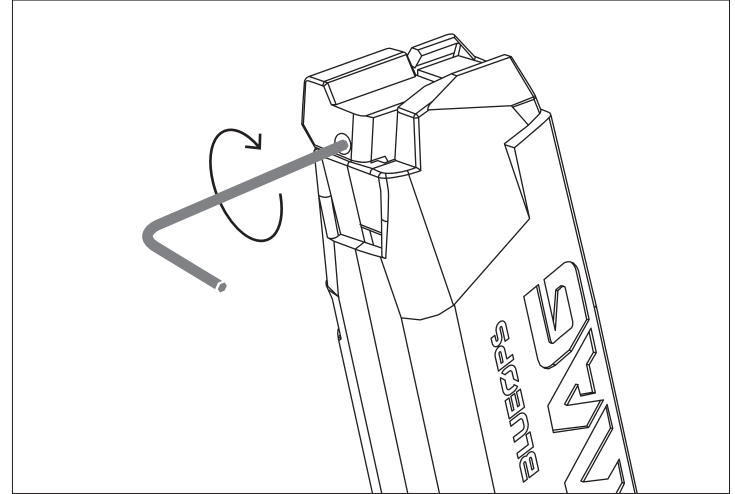
10. Trigger Break/Reset Simulation

- Ensure that your firearm is unloaded and all ammunition is securely stored
- Insert the xMAG into your pistol and squeeze the trigger. You'll notice a tactile response mimicking the trigger's breaking point just before it actually occurs. This feature serves to prevent wear and tear on the firing pin and enhances safety measures
- **Note:** The xMAG comes "pre-loaded" from the factory with "15 rounds". Even pulling the trigger outside of a training drill will deplete the magazine. If this occurs, simply reload the magazine by either swapping it with another xMAG or by removing and reloading it

Remember, you have the flexibility to modify the number of rounds for each selected drill from within the App

11. Adjusting The Trigger Break Simulation

If a real trigger break occurs before the trigger break simulation, you'll need to make adjustments to the magazine trigger reset mechanism:



- Utilize the Allen wrench provided to adjust the screw located within the trigger calibration access hole, as illustrated
- Gradually turn the screw clockwise until you pinpoint the optimal adjustment point to avoid trigger breakage. Remember, the screw is extremely sensitive, so make small, precise rotations. Regularly check the trigger break to confirm the best adjustments after each subtle turn

12. xLSR (Laser Cartridge)

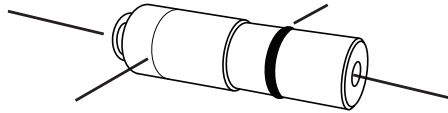
xLSR

Light-sensitive sensor

Rubber O-Ring for Securing xLSR Within the Barrel

Twist off the cap to insert the batteries

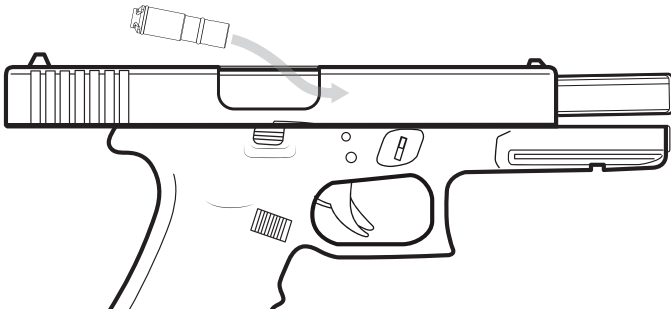
Laser Emitter



NOTE: By design, xLSR comes with a single O-ring.

14. xLSR Setup

- Ensure that your firearm is unloaded and all ammunition is securely stored
- Pull back the slide and engage the Slide Stop Lever to hold it in place. Insert the xLSR into the chamber, exerting pressure with your thumb to ensure it is fully seated



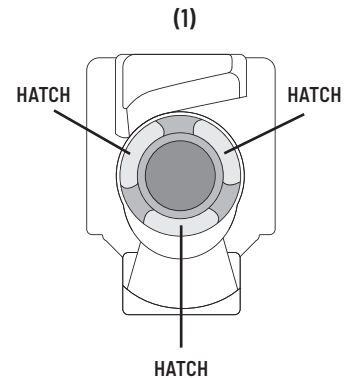
13. Installing xLSR Batteries

- Twist off cap
- Insert the batteries provided (3LR626 pack) into the xLSR, ensuring that the '+' sign aligns with the inner laser spring
- If the laser remains consistently active, please unscrew the cup and then screw it back in place



- Ensure that the xLSR is aligned in the orientation illustrated in the diagram provided (1)
- Insert one of the xMAGs and depress the trigger. The xLSR is expected to emit a laser with each trigger pull
-

If the laser fails to operate, utilize the provided xLSR Extractor to gently rotate the xLSR before attempting again



Make sure to promptly remove the xLSR after your practice session is complete!

BLUEOPS

For troubleshooting please visit our page:

www.blueops-tech.com/troubleshoot



Or contact us:

support@blueops-tech.com